

BF100505 Series

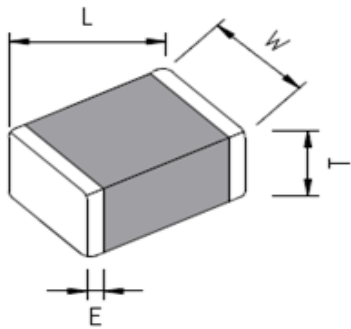
Features :

- These small size chips generate high impedance.
- Excellent solderability and high heat resistance for either flow or reflow soldering.
- Monolithic structure for high reliability.
- Low DC resistance structure of electrode prevents wasteful electric power consumption.
- Operating temperature range of -55°C to +125°C
- Storage temperature range of -10°C to +40°C

Applications :

- Circuit where a stable ground is unavailable.
- Various automotive electronics, various electronic equipment, digital communication equipment.
- Mother board, tablet PC, laptop, desktop computer and peripheral equipment.
- Mobile phone, smart phone, PND.

Shapes And Dimensions : (Unit :mm)



L	W	T	E
1.0 ± 0.05	0.5 ± 0.05	0.5 ± 0.05	0.1~0.3

Part Number Code :

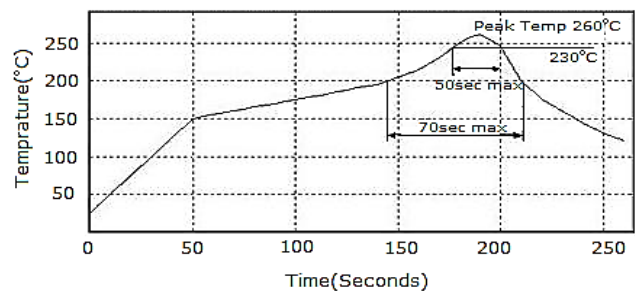
BF 100505 A 121 -E

① ② ③ ④ ⑤

- 1 : Series
- 2 : Dimensions L x W x T
- 3 : Material Code
- 4 : Normal Impedance
- 5 : Lead-Free

Reflow Profile :

Peak Temp : 260°C
Max time above 230°C 50sec
Max time above 200°C 70sec



BF100505 Series

Part No.	Impedance $\Omega \pm 25\%$ @100MHz	DCR(Ω) (max.)	Rated Current (mA) (max.)
BF100505A100	10	0.05	500
BF100505A300	30	0.20	300
BF100505A600	60	0.40	200
BF100505A700	70	0.40	200
BF100505A800	80	0.40	200
BF100505A101	100	0.45	200
BF100505A121	120	0.50	200
BF100505A151	150	0.60	200
BF100505A181	180	0.65	100
BF100505A221	220	0.70	100
BF100505A301	300	0.75	100
BF100505A331	330	0.75	100
BF100505A471	470	0.90	100
BF100505A501	500	1.00	100
BF100505A601	600	1.10	50
BF100505A102	1000	1.50	50
BF100505B300	30	0.20	300
BF100505B600	60	0.40	200
BF100505B101	100	0.50	200
BF100505B121	120	0.50	200
BF100505B221	220	0.80	100
BF100505B301	300	0.85	100
BF100505B471	470	1.00	100
BF100505B601	600	1.50	50
BF100505K300	30	0.15	300
BF100505K600	60	0.30	200
BF100505K101	100	0.50	200
BF100505K121	120	0.50	200
BF100505K221	220	0.80	100
BF100505K301	300	0.85	100
BF100505K471	470	1.00	100
BF100505K601	600	1.50	50
BF100505H100	10	0.10	500
BF100505H300	30	0.20	300
BF100505H600	60	0.40	300
BF100505H101	100	0.55	300
BF100505H121	120	0.55	300
BF100505H221	220	0.80	200
BF100505H301	300	1.00	100
BF100505H471	470	1.50	50
BF100505H601	600	2.50	50